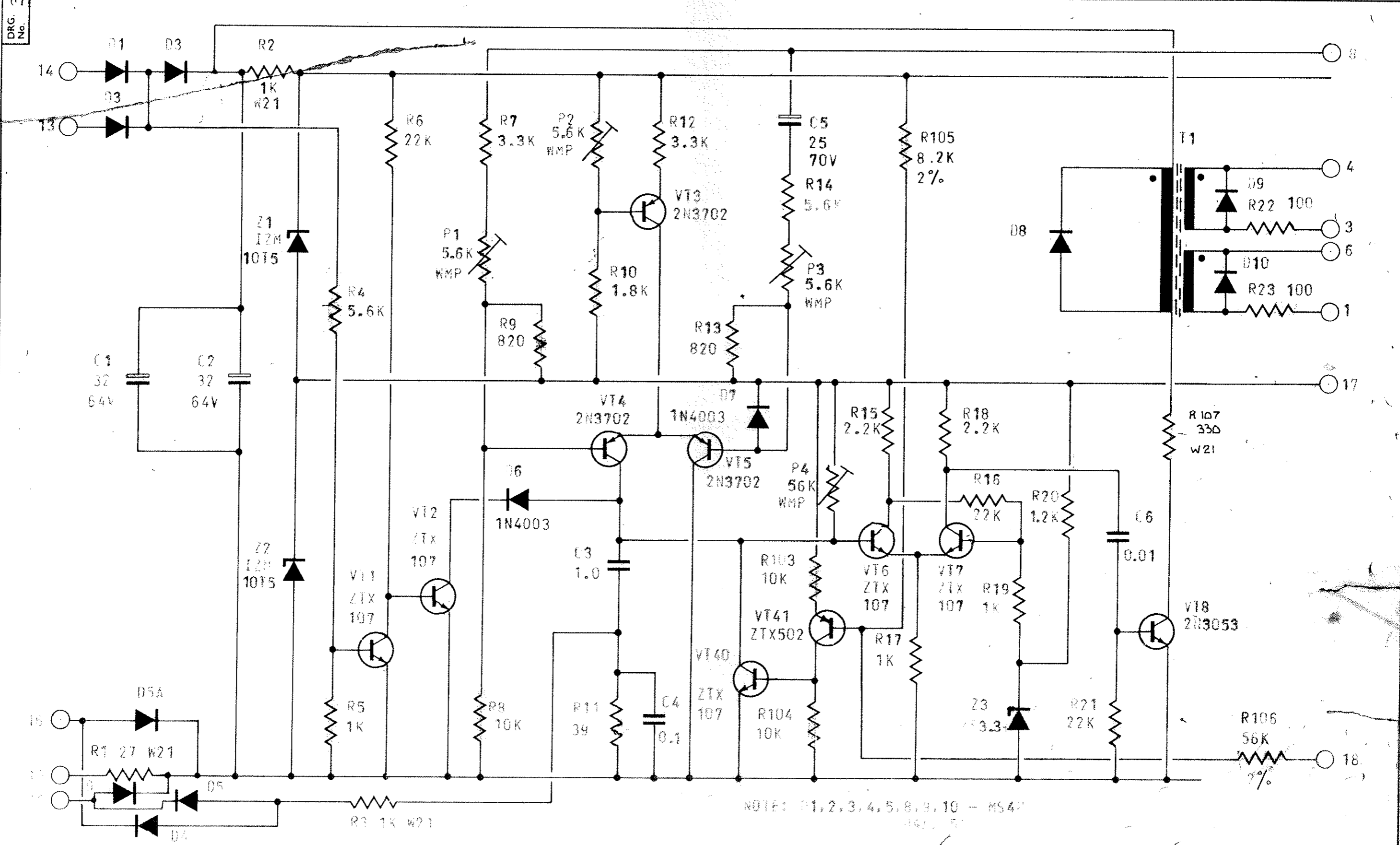


R	1	2	4, 5, 3	6	8	7	9	10, 11	12, 13	103	14	104	15, 18, 17, 16, 105	20, 21	107	22, 23, 106	R
C	1	2						3	4		5				6		C
VT			1	2				4	3	5	40	41	6	7			VT
MISC	D1, 2, 3, 4, 5, 4A, 5A	Z1, 2			P1	P6	P2			D7	P3, 4		Z3	D8		D9, 10	MISC



NOTE: R1, 2, 3, 4, 5, 8, 9, 10 - MS47

TRACED		5	11-10-73	Q2592	6	7-1-74	Q 2738
CHECKED		4	23-2-71	Q721			
		3	3-2-71	853			
		2	9-12-70	826			
DRAWN	D.W.	ISS.	DATE	MOD. No.			
		1	2-11-70				

NOTE:—
CAPACITOR VALUES GIVEN IN μF .
RESISTOR VALUES IN Ω
② REFERS TO CCT. BD,
PIN CONNECTION Nos.

FARNELL INSTRUMENTS LTD. WETHERBY, YORKS.

SCP. CONTROL BOARD
PRINT DIAGRAM

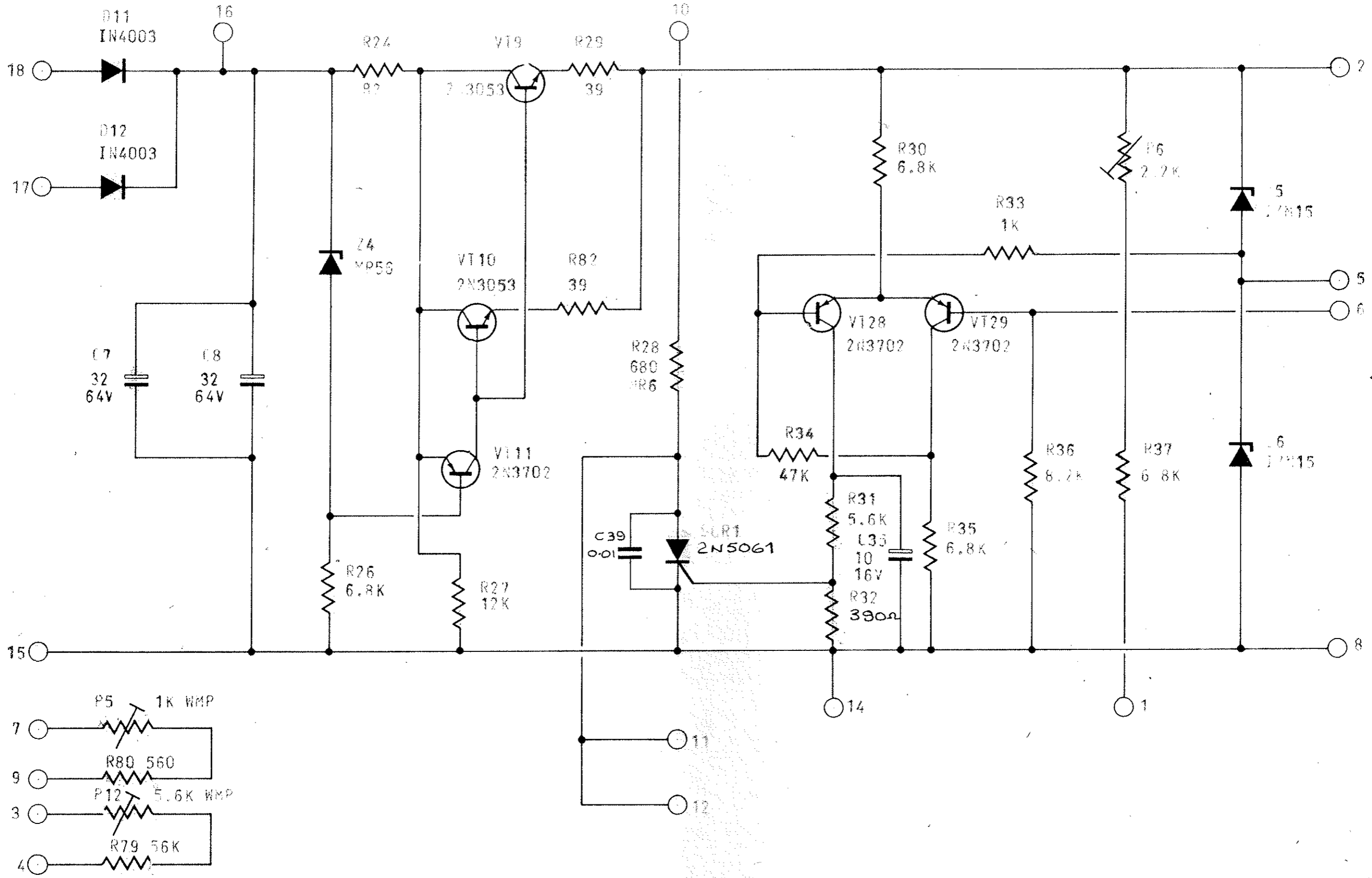
DRAWING No. 3-5567

H60/50
AND H60/25

USED ON

DRG. No. 3-5566

R	80, 79	26, 24	17	82, 79, 28	31, 32, 30, 33	33	36	37	R
C	7	8		39	35				C
VT			17, 10, 9		28, 29				VT
MISC	P5, 12	D11, 12	Z4	SLR1					MISC



TRACED		5	21.4.71	Q829	6	21.10.71	Q1104		
CHECKED		4	16.2.71	Q721					
DRAWN	D.W.	3	3.2.71	853					
		2	9.12.70	826					
		ISS.	DATE	MOD. No.					
		1	2.11.70						

NOTE:—
 CAPACITOR VALUES GIVEN IN μF.
 RESISTOR VALUES IN Ω
 ② REFERS TO CCT. BD.
 PIN CONNECTION Nos.

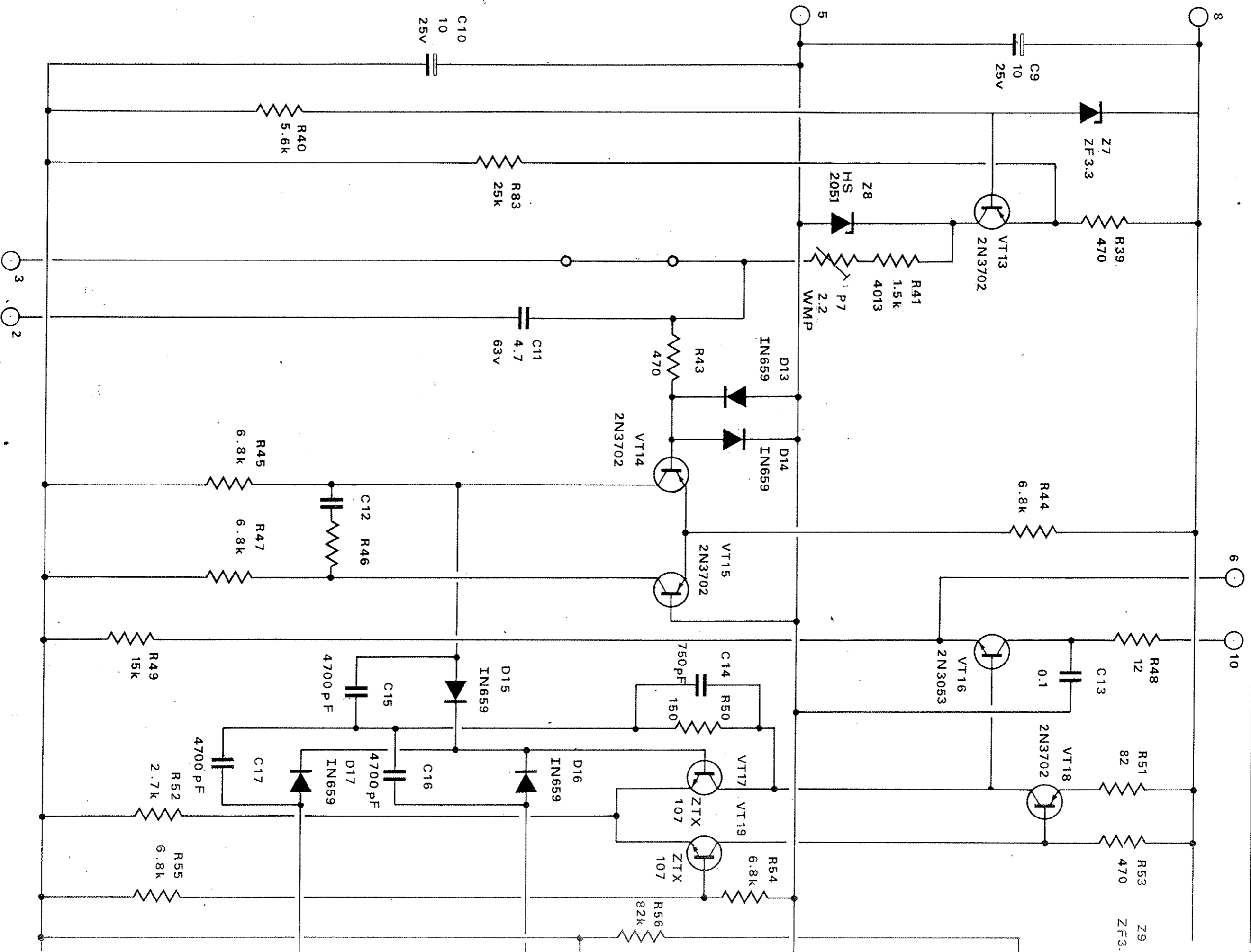
FARNELL INSTRUMENTS LTD. WETHERBY, YORKS.

DRAWING No. 20.7.70
 3-5566
 AUXILIARY SHEET(S).
 CIRCUIT DIAGRAM. H60/50 AND H60/25

DRAWING No.
2-5565

R	C	MISC
40 83 39 41 43 45 44 46 47 48 49 50 51 52 53 54 55 56	9 10 11 12 13 14 15 16 17 18 19	Z7 Z8 P7 D13 D14 D15 D16,17

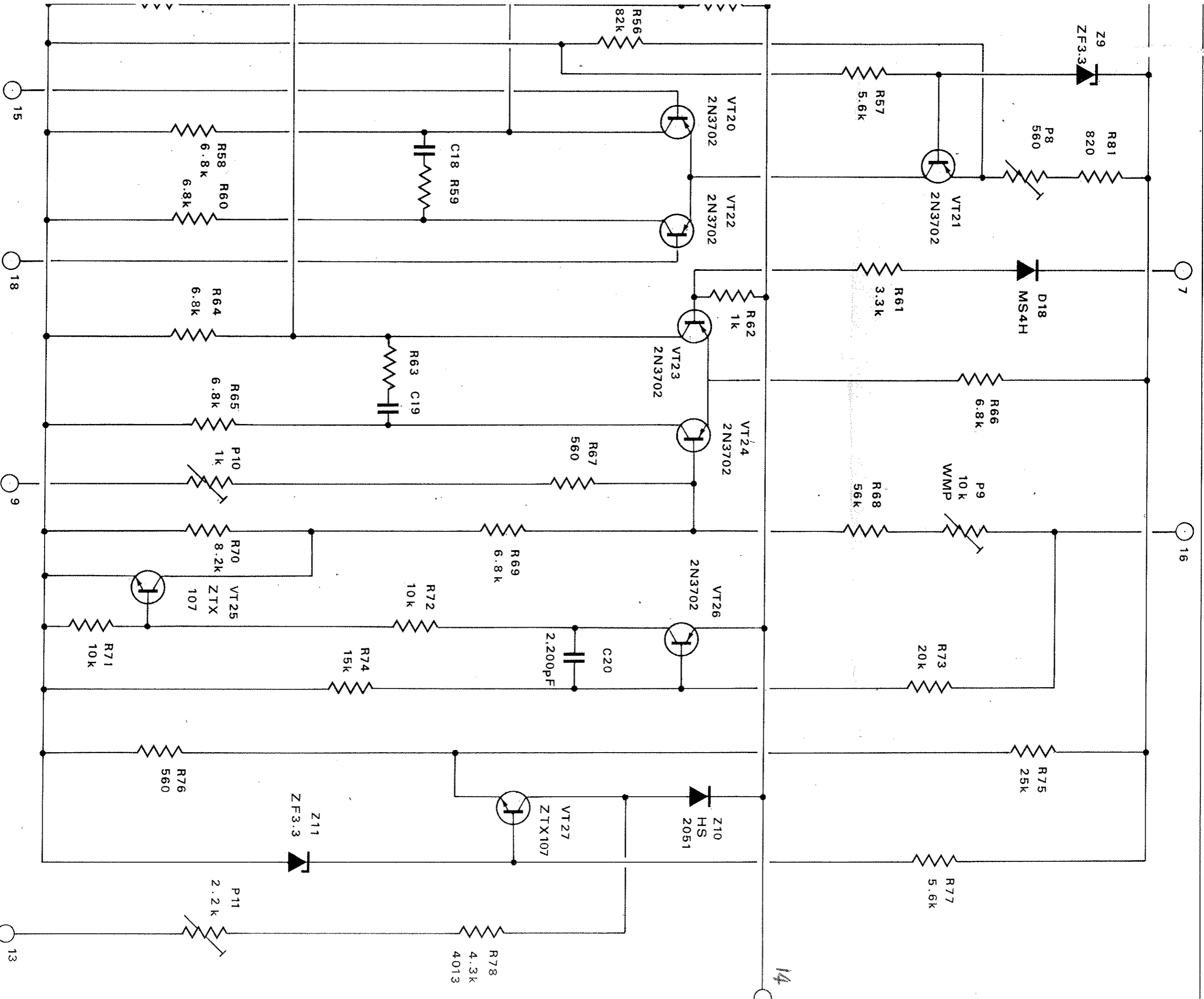
USED ON



NOTE: ALL RESISTOR VALUES IN OHMS UNLESS OTHERWISE STATED.
ALL CAPACITORS IN MICROFARRADS UNLESS OTHERWISE STATED.
○ DENOTES CIRCUIT BOARD PIN

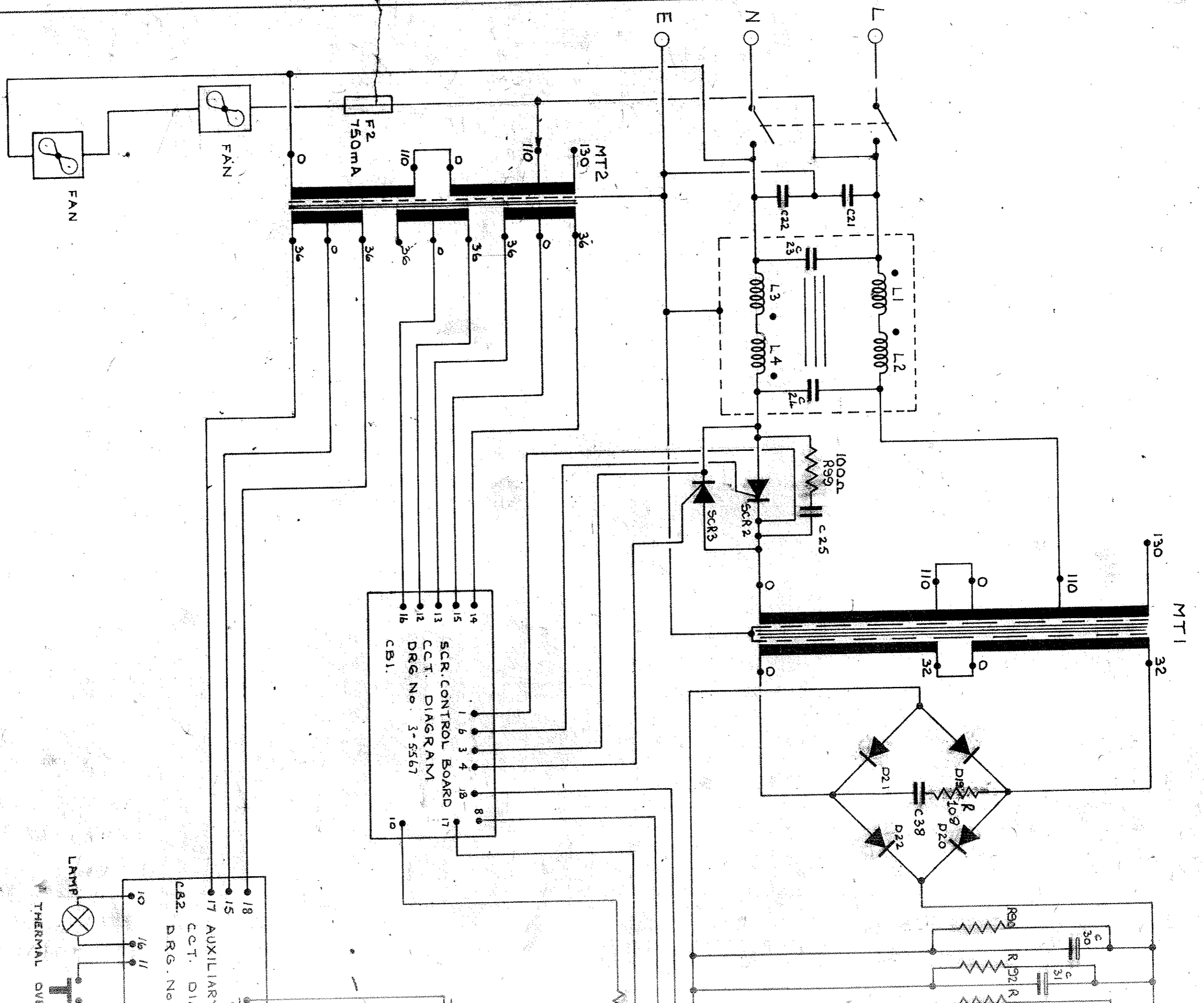
TRACED	RND	CHECKED	DRAWN	ISS.	DATE	MOD. No.
			6		11.10.73	Q2592

55 56 57 58 81 59 60 61 62 64 63 66 65 67 68 69 70 71 72 73 74 75 76 77 78
 18 19 20 21 22 23 24 25 26 27 28 29 30 31 32 33 34 35 36 37 38 39 40 41 42 43 44 45 46 47 48 49 50 51 52 53 54



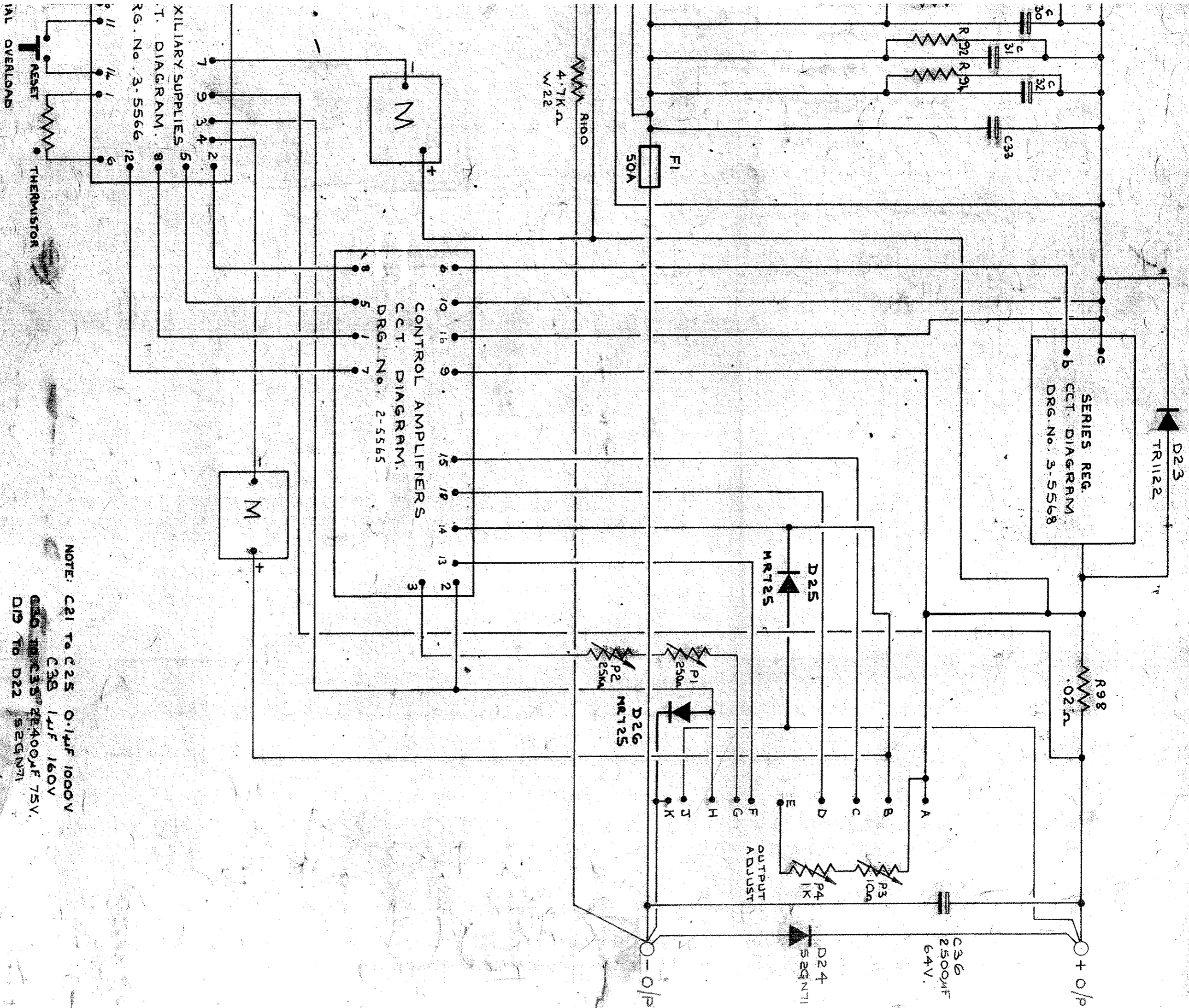
STATED.
/ISE STATED.

FARNELL INSTRUMENTS LTD. WETHERBY, YORKS.
 TITLE: CONTROL AMPLIFIERS
 H60/50, H60/25
 DRAWING No. 2-5565
2-556
 SHEET 1 OF 1



DESIGNED	DATE	MOD. No.
CHECKED	DATE	MOD. No.
DRAWN	DATE	MOD. No.
REV. A	11-6-74	02950

SCALE: 1:1



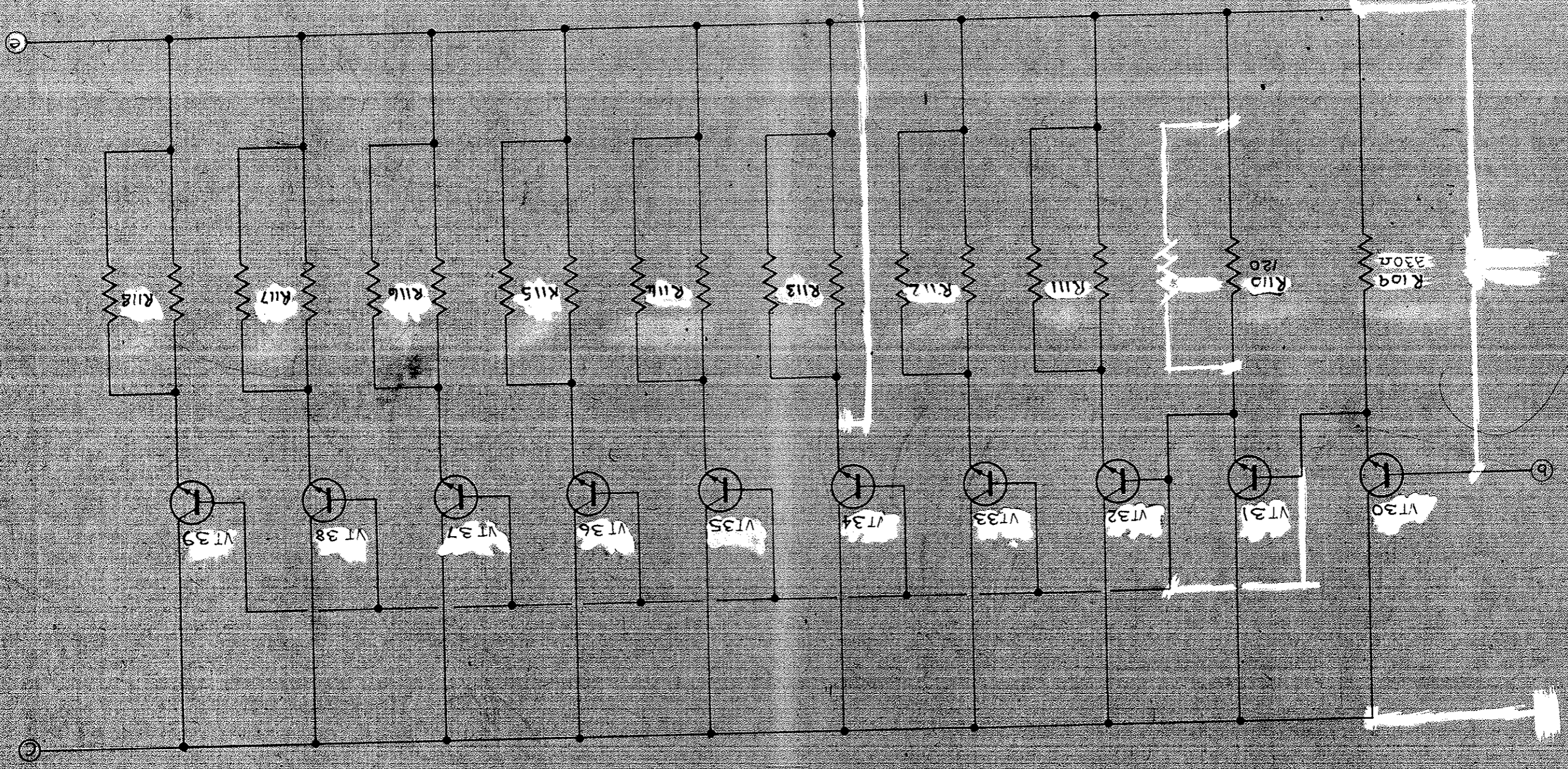
NOTE: C21 TO C25 0.1μF 1000V
 C38 1μF 160V
 D20 TO C35 2E400μF 75V.
 D19 TO D22 5G4N71
 SCR 2, SCR3 CR30/50 3A
 C38 1μF 160V

DRAWING NO. 2-55564	TITLE: SCHEMATIC DIAGRAM.	FARNELL INSTRUMENTS LTD. WETHERBY, YORKS.	PROJECTING ENGINEER DIMENSIONS IN MM	NOTE: SHOW ALL LEADS AND QUANTITIES	DRAWING NO. 2-55564
SHEET 1 OF 1	H60/50	FARNELL INSTRUMENTS LTD. WETHERBY, YORKS.	DIMENSIONS IN MM	NOTE: SHOW ALL LEADS AND QUANTITIES	SHEET 1 OF 1

DRG 3-5568

USED ON

R	118	119	120	121	122	123	124	125	126	127	128	129	130	MISC
C														
VT														
MISC														



NOTE: ALL TRANSISTORS TYPE 2N3055
RESISTORS R111 TO R118 200 Ω 0.5W W22

NOTE: CAPACITOR VALUES GIVEN IN μ F
RESISTOR VALUES IN Ω
② REFERS TO CMT. BD.
PIN CONNECTION NOS.

FARNELL INSTRUMENTS LTD. WETHERBY, YORKS.
SERIES REGULATOR DIAGRAM H60/50
DRAWING No. 3-5568

D.W.	2.11.70
ISS DATE	2.1.8.72
MOD. NO.	Q1573

TRACED

CHECKED

DRAWN